

Liberty Grandview®

AV-VISION
EQUIPMENTS (INDIA) (P) L TD.

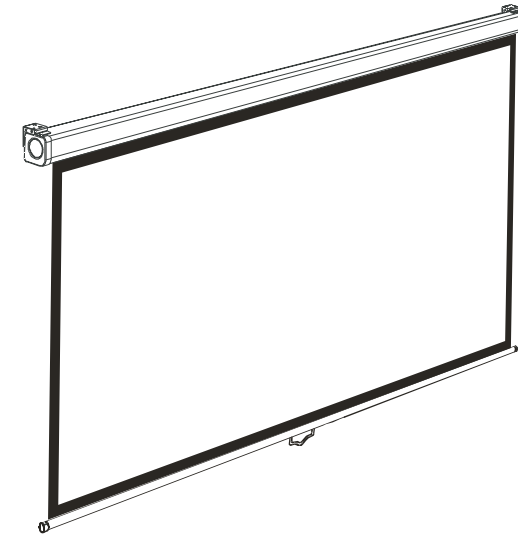
Mktg. Off: 1-20-248, 2nd Floor, (Snowcem Paints Lane),
Rasoolpura, Secunderabad-500 003, A.P., INDIA.
Tel : +91(0)40-2781 5419 / 2781 4350 / 2789 0599 / 2781 8419 / 20 / 21
Fax : +91(0)40-2781 5399 (Off.) / 2781 4612 (Mktg)
Mobile: + 91- (0) 99590 24099 / 98490 24099
E-mail: sales@av-visionindia.co.in
Website : www.av-visionindia.co.in

Grandview Crystal Screen Canada Ltd.

#11- 3751 North Fraser Way,
Marine Way Business Centre,
Burnaby, BC, Canada V5J 5G4
Tel: 1-604-412-9777 Fax: 1-604-412-9796
Website: www.grandviewscreen.ca

Guangzhou Grandview Crystal Screen Co., Ltd.

No.43 South International Trade Avenue, Hualong Town,
Panyu, Guangzhou, Guangdong, China
Tel: +8620-8489-9499 Fax: +8620-8480-3343
Website: www.grandviewscreen.com

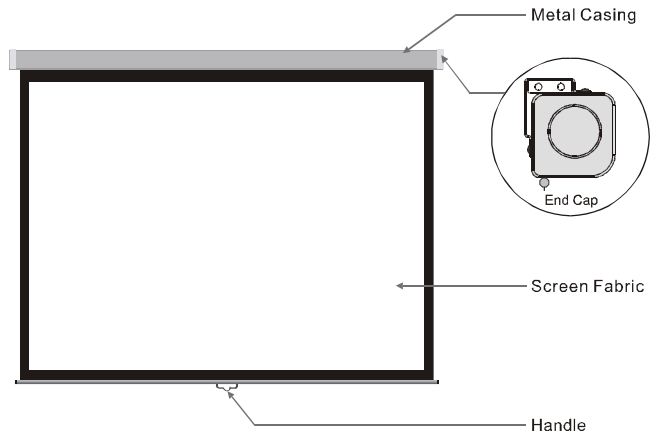


Model: CN-P xx

Thank you for purchasing a Grandview projection screen.

Before use, please read instructions carefully. After installation, store instructions for future reference.

Description



Accessories

■ $\varnothing 5 \times 40\text{mm}$ Screw (8pcs)

■ Installation Manual (1pc)



Warnings

- The ceiling or wall used for fixture installation must be secure to prevent the screens from falling.
- Please read the following as any damage to the screen surface will affect the quality of the picture:
 - 1.Avoid contact or touching the screen surface as it may cause scratches or tears.
 - 2.Do not write or draw on the surface
 - 3.Clean the screen with a soft cloth and lukewarm water. Do not use any detergent or cleaning products.
- Roll up the screen after every use.
- Ensure that the screen is level when installing; do not pull on the sides or fold the screen.
- To prevent unnecessary damage, the operating and maintenance of the screen should be done by adults.



Ignoring the safety warnings may lead to injuries and/or damaging the product.



Fixtures should be installed in a secure place to avoid accidents or the screen falling.



Please contact your local dealer for repairs or maintenance. Please contact our company if you have any further questions. Avoid taking apart the fixtures yourself. Loose parts may cause the screen to fall.



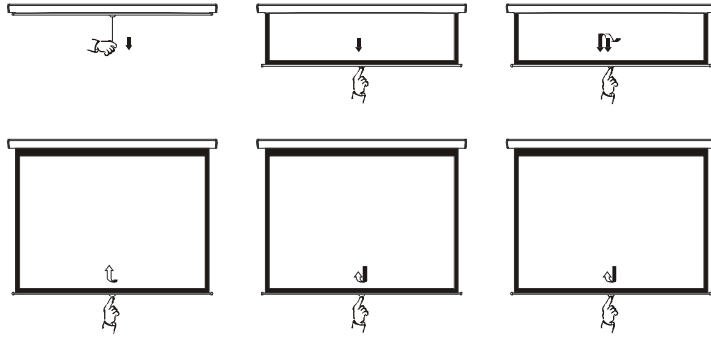
Roll up the screen after every use. Leaving it hanging for a long period of time may cause the fabric to loosen.

Do not take apart and replace with unknown parts. If there are any problems, please contact your local dealer. Product specifications are subject to change.

Instructions

Pull down to the desired height; pause for 3 seconds, and the screen will self-lock.

1. Use rope to pull down bottom rod until within hand reach distance.
2. Continue to pull down with hand to desired height, and then hold for 3 seconds.
3. To retract screen, pull down lightly to release locking system, let go and the screen will return to casing.



Installation

1. This projection screen should be installed at the best possible viewing position for the audience. Take out all the parts from the packaging and follow the accessories guideline to ensure you have all the parts. The parts needed will vary depending on which installation you choose to use. For installation on a wood wall or ceiling, use 5 x 40 anchors and screws.
2. There are two ways for wall brackets to fix on the housing. As you can see on the figure 1, which is our normal fixed way (namely factory set). While the other fixed way is to interchange the left and right wall brackets, and then fix onto the housing (namely functional installation way, as figure 2).

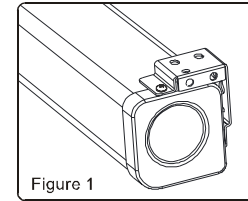


Figure 1

Factory-set installation way

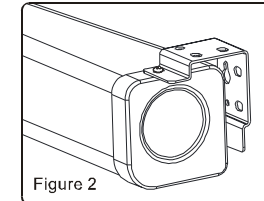


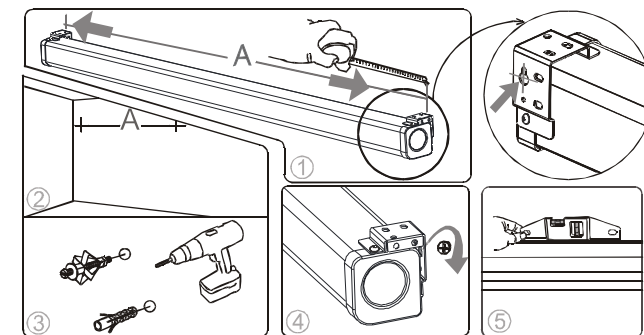
Figure 2

Functional installation way

Installation one (Factory-set installation way)

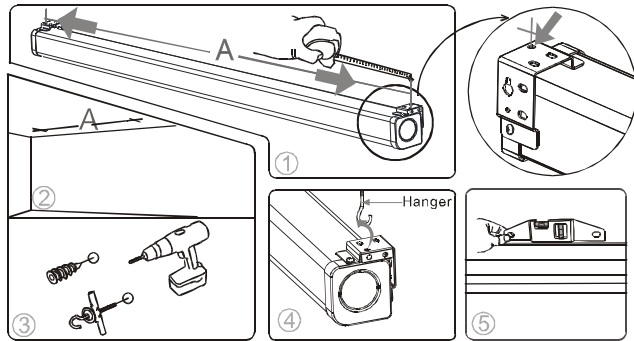
Wall Mount

Using a tape measure, measure the distance between the two keyholes on the casing (Figure 1). According to the measurement, use the drill to drill identical holes of the appropriate size on the wall (use a smaller drill bit than the actual screws) and ensure that it is level (Figure 2 & 3). Screw in the appropriate screws, either $\varnothing 5 \times 40$ by itself for wood walls or with anchors for drywalls, leaving enough space at the end to hang the casing (Figure 4). To ensure that the screen is level, use a level to check (Figure 5).



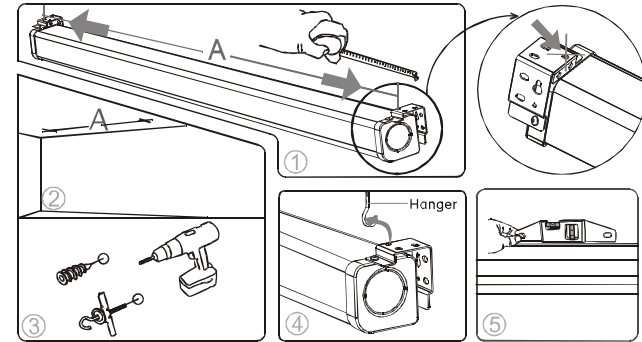
Ceiling Mount

Using a tape measure find out the distance between the two keyholes on the casing (Figure 1). According to the measurement, use the drill to drill identical holes of the appropriate size on the ceiling and ensure that it is level (Figure 2 & 3). Screw in the hook screws (not provided), and lift the screen into the hook screws to hang (Figure 4). To ensure that the screen is level, use a level to check (Figure 5).



Ceiling Mount

Using a tape measure find out the distance between the two keyholes on the casing (Figure 1). According to the measurement, use the drill to drill identical holes of the appropriate size on the ceiling and ensure that it is level (Figure 2 & 3). Screw in the hook screws (not provided), and lift the screen into the hook screws to hang (Figure 4). To ensure that the screen is level, use a level to check (Figure 5).

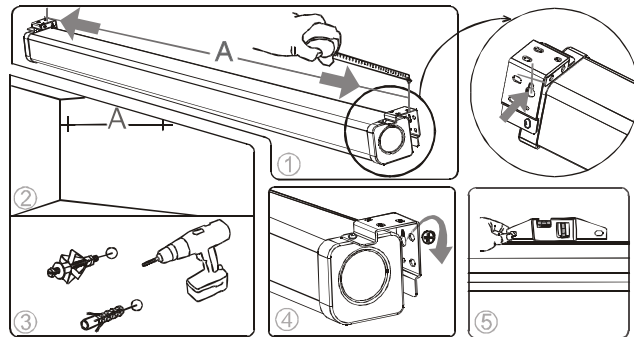


Installation two (Functional installation way)

For Functional installation way, we can not only use wall mounting, ceiling mounting to fix the housing, but also can just nail the housing onto the wall and ceiling via wall brackets using spare screws. Please make sure that, using this installation way, you have to take off the factory-set wall brackets and then interchange left & right brackets before mounting.

Wall Mount

Using a tape measure, measure the distance between the two keyholes on the casing (Figure 1). According to the measurement, use the drill to drill identical holes of the appropriate size on the wall (use a smaller drill bit than the actual screws) and ensure that it is level (Figure 2 & 3). Screw in the appropriate screws, either 5 x 40 by it self for wood walls or with anchors for drywalls , leaving enough space at the end to hang the casing (Figure 4). To ensure that the screen is level, use a level to check (Figure 5).



Wall/Ceiling Mounting Installation

